



Data Sheet

TB-24 Series

Distributed by



www.bristolinstruments.com

Bristol Instruments
90 Canal Street - 4th Floor
Boston, MA 02114

Toll free
877-866-8500

Thermometer with Bimetal coil Industry version

Dial size: ND of 2½, 3, 4 and 6 in.
(63, 80, 100 and 160 mm)

Accuracy: ±1.0% of full scale

Features

Short response time
Wide selection of standard versions
High grade version

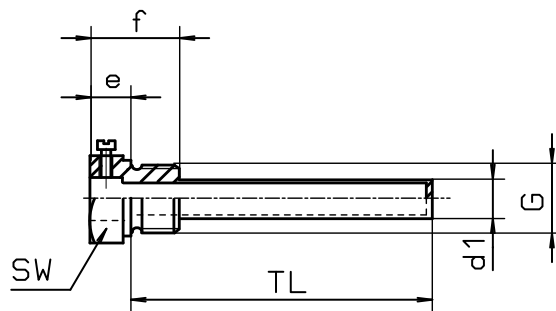
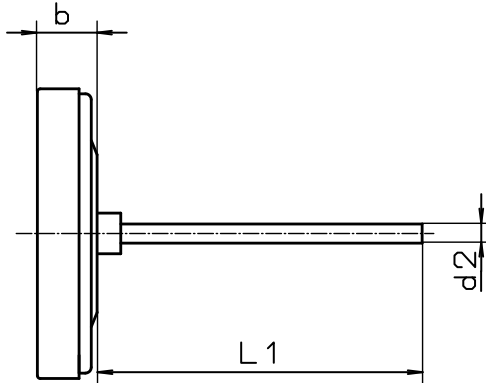
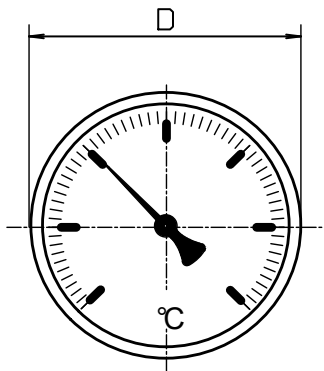
Applications

Mechanical engineering and apparatus manufacture,
Container and pipe construction
Building service and a wide range of applications in industry
Industrial machines



Model and ND	TB-24 63	TB-24 80	TB-24 100	TB-24 160
Connection	back , centric			
Ranges	-22 to +122°F, -4 to +140°F 32 to 104°F, 32 to 140°F, 32 to 176°F, 32 to 212°F, 32 to 248°F, 32 to 320°F, 32 to 392°F, 32 to 482°F, 32 to 572°F, 32 to 752°F, other ranges in quantity on request.			
Accuracy	±1.0% of full scale value			
Case	CrNi steel			
Bezel	CrNi steel rim ring			
Window	Glass lens			
Dial	Aluminium white ,scale black			
Pointer	Aluminium, black			
Measuring element	Bimetal coil			
Display correction	Adjusting pointer or at end of shaft			
Shaft	CrNi steel , 8 mm			
Connection	Standard: plain with flange for thermowell Extra equipment : see data sheet T-190			
Stem length	45, 63, 100, 150, 200, 250 mm, other length on request			
Protection	IP 43 to EN 60529 / IEC 529			
Weight	3.5 oz	4.2 oz	5.3 oz	10.6 oz

Dimensions



Dimensions in mm									
Model	NG	D	b	d1	d2	e	f	sw	G
TB-24	63	63	16	10	8	15	27	21	G 1/2 B
TB-24	80	80	17	10	8	15	27	21	G 1/2 B
TB-24	100	100	21	10	8	15	27	21	G 1/2 B
TB-24	160	160	25	10	8	15	27	21	G 1/2 B

Model specification

