



Data Sheet
TB-33 Series
**Bimetal Coil Thermometer -
Stainless With Pivoting Case**

Distributed by



www.bristolinstruments.com

Bristol Instruments
90 Canal Street
4th Floor
Boston, MA 02114

Toll free 877-866-8500

Bimetal thermometer Stainless steel , pivoting case

**Dial size: ND of 3, 4 and 6 in.
(80, 100 and 160 mm)**

Accuracy: $\pm 1\%$ of full scale

Features

- Short response time
- Wide selection of standard versions
- High grade version
- Version with rotating and pivoting case

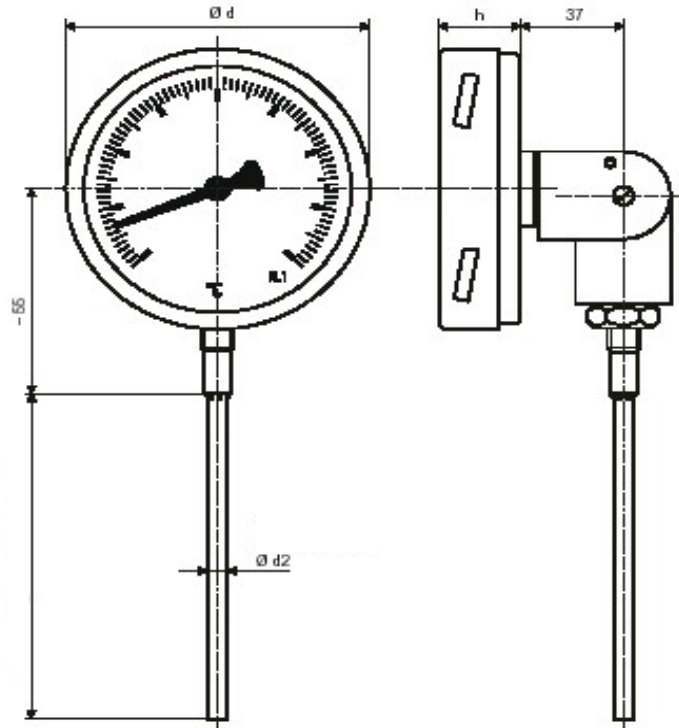
Applications

- Mechanical engineering and apparatus manufacture,
- Container and pipe construction
- Building service and a wide range of applications in industry
- Food industry



Model and ND	TB-33 80	TB-33 100	TB-33 160
Connection	bottom		
Ranges in °C	-30...+50°C, -20...+60°C, -10...+50°C 0...60°C, 0...80°C, 0...100°C, 0...120°C, 0...160°C, 0...200°C, 0...250°C, 0...300°C 0...400°C, 0...500°C, other at inquiry		
Ranges in °F	0 ...150 °F, 0...200 °F, 0...250 °F, 0...300 °F -50...+130 °F, -40...+160, -30...+120 °F, -10...+100 °F, 20...240 °F, 30...140 °F 40...400 °F, 50...300 °F, 50...500 °F, 80...800 °F, 150...700 °F, other at inquiry		
Application	Full scale value		
Case	CrNi steel		
Bezel	CrNi steel, rim ring or bayonet catch		
Window	Glass lens		
Dial	Aluminium white ,scale black		
Pointer	Aluminium, black		
Measuring element	Bimetal coil		
Display correction	Adjusting pointer or at case backside		
Shaft	CrNi steel , 8 mm		
Connection	lock at data sheet T 190		
Length	45, 63, 100, 150, 200, 250 mm, max. 500 mm		
Protection	IP 43 or IP 65 according EN 60259 /IEC 529		
Weight	0,6 kg	0,8 kg	1,2 kg

Dimensions



Dimensions in mm								
Type	NG	D	h		d2		sw	G
TB-33	80	80	24		8		21	
TB-33	100	100	28		8		21	
TB-33	160	160	28		8		21	

Model specification

Model	Connection	Nominal size	Range	Length	Connection type
TB-3	3	f.e.100	f.e.120	f.e. 100	f.e. F2
	adjustable = 3	Case ND 63 = 63 Case ND 80 = 80 Case ND 100 = 100 Case ND 160 = 160	after range specification or direct 120°	sensorlength in mm	after data sheet T 190