



Data Sheet  
MR-36 Series  
Pressure Gauges

*Distributed by*



[www. BristolInstruments.com](http://www.BristolInstruments.com)

Bristol Instruments  
90 Canal Street - 4th Floor  
Boston, MA 02114

Toll free  
877-866-8500

# All stainless steel pressure gauges for special safety to DIN EN 837-1 with or without glycerine filling

**Nominal size: ND 100, 160 mm (4, 6 in)**  
**Accuracy: ±1.0% of full scale**

## Features

- Solid front between measuring system and dial
- Meets highest safety requirements to DIN 16006
- Vibration free display with glycerin filling
- High reliability and long service life
- Designed for harsh conditions

## Applications

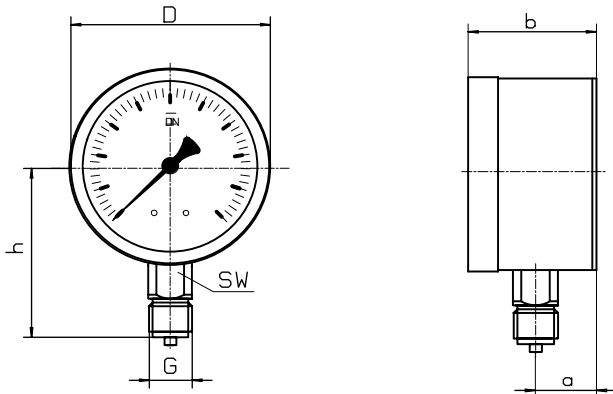
- Chemical and petrochemical industry
- Food and beverage industry
- Pulp and paper industry
- Machine and apparatus



	with glycerine filling			
Models and ND	MR-36 100	MR-36 160	MR-36 F 100	MR-36 F 160
Connection	bottom (for back, eccentric fitting location order model MR-37)			
Ranges (psi)	0 to 10, 15, 25, 35, 50, 100, 150, 200, 350, 600, 1,000, 1,500, 2,000, 3,500, 6,000, 8,500, 15,000, 20,000 neg: -10, 0, -15 to 0, -15 to +10, -15 to +20, -15 to +50, -15 to +75, -15 to +100, -15 to +200			
Application	Constant load : up to end of scale value Alternating load : up to 0,9 x end of scale value Short time : overload capacity 1,3 x			
Case	CrNi steel with blow - out back , solid front			
Bezel	CrNi steel bayonet ring			
Window	Laminated safety glass			
Dial	Aluminium white, scale and imprint black			
Pointer	Aluminium ,black			
Movement	CrNi steel			
Measuring element	CrNi steel Bourdon tube < 40 bar, helial tube > 60 bar			
Pressure Connection	SW 22, CrNi steel			
Connection thread	½ in NPT, G ½ B			
Protection	IP 65 to EN 60529 / IEC 529			
Temperature range	Medium: -4 to 175°F, Ambient: -13 to 140°F			
Weight	1.3 lbs	2.2 lbs	3.5 lbs	6 lbs

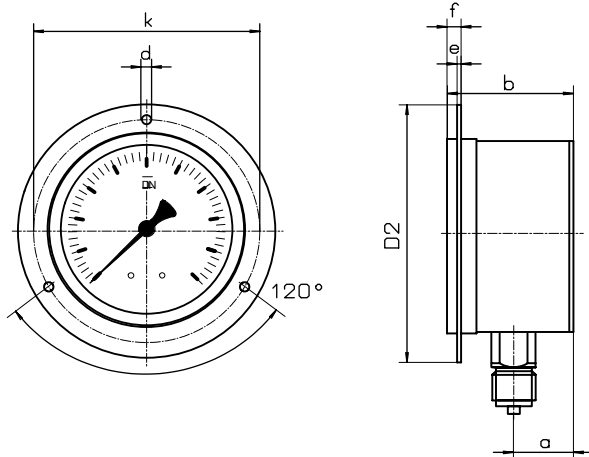
## Dimensions

Connection bottom



Front flange

Front flange



Dimensions in mm														
Model	NG	D	a	b		h		D2	e	f	k	d	sw	G
MR-36	100	101	27	60		86		132	2	6	116	5	22	G 1/2 B
MR-36	160	160	34	69		118		195	3	8	178	5,6	22	G 1/2 B

### Model specification

