

Pressure Switches with Bourdon tube in Industry version

Nominal size ND 63
Accuracy class 1,6

Features

Rugged construction
High reliability and long service life
Adjustable or firmer contact

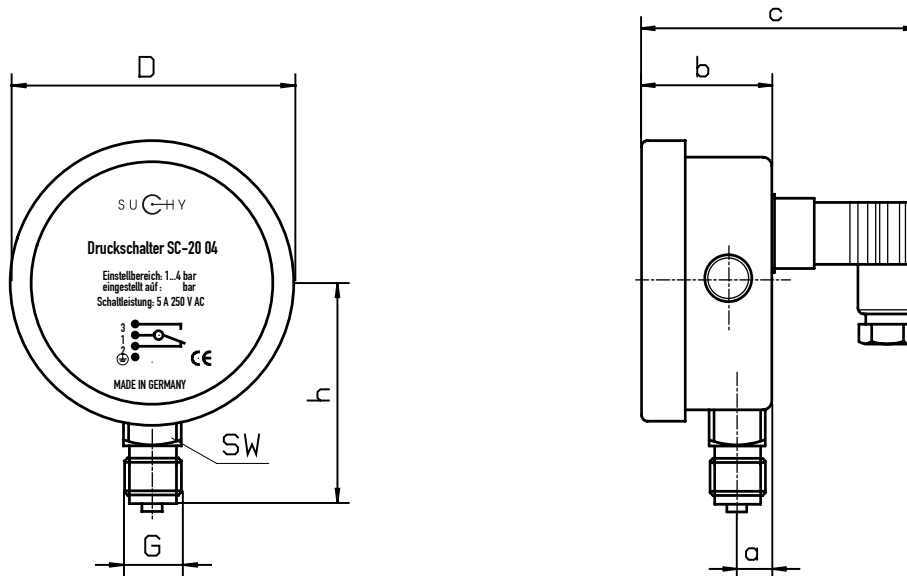
Applications

Hydraulic and pneumatic
Process engineering
Machine and plant construction
Gaseous and fluid media which are not
extremely viscous or crystallizing



Model	SC-20 04	SC-20 10	SC-20 40	SC-20 100	SC-20 250	SC-20 400
Connection	bottom					
Adjustable ranges in bar	from 1 bar to 4 bar	from 3 bar to 10 bar	from 6 bar to 40 bar	from 30 bar to 100 bar	from 50 bar to 250 bar	from 100 bar to 400 bar
Overload protection	6 bar	15 bar	60 bar	150 bar	300 bar	450 bar
Switching hysteresis	ca. 10...15 % from full scale value					
Case	CrNi steel with blow out on top					
Bezel	CrNi steel					
Window	Glas lens					
Scale	Aluminium white, scale and imprint black					
Measuring element	CuZn bourdon tube to 60 bar ,from 100 bar helical spring					
Adjustment	on site via central turning screw , under pressure					
Connection	SW 14, Copper alloy					
Connection thread	G 1/4 B					
Temperatures	Medium: -20°C to 80°C, ambient: -40°C to 60°C					
Protection	IP 54 according EN 60529 / IEC 529					
Switching power	5 A, 250 V AC					
Electrical connection	Plug according to DIN 43650 with junction box					
Weight	0,2 kg					

Dimensions



Dimensions in mm								
Model	ND	D	a	b	c	h	sw	G
SC-20 04	63	68,5	9,5	31	69	53	14	G 1/4 B
SC-20 10	63	68,5	9,5	31	69	53	14	G 1/4 B
SC-20 40	63	68,5	9,5	31	69	53	14	G 1/4 B
SC-20 100	63	68,5	9,5	31	69	53	14	G 1/4 B
SC-20 250	63	68,5	9,5	31	69	53	14	G 1/4 B
SC-20 400	63	68,5	9,5	31	69	53	14	G 1/4 B