



Data Sheet  
**ST-40 Series**  
**Screw-in RTD Thermometers**

*Distributed by*



[www.bristolinstruments.com](http://www.bristolinstruments.com)

Bristol Instruments  
90 Canal Street  
4th Floor  
Boston, MA 02114

Toll free 877-866-8500

# Threaded resistance thermometer in a low-cost version with integrated transmitter

Accuracy class F 0,3 and W 0,3 according DIN EN 60 751

Output: 4...20 mA, 2-wire  
0...10 V, 3-wire



## Features

for measuring temperatures in pipelines and containers  
inexpensive temperature sensor  
for systems up to 40 bar operating pressure

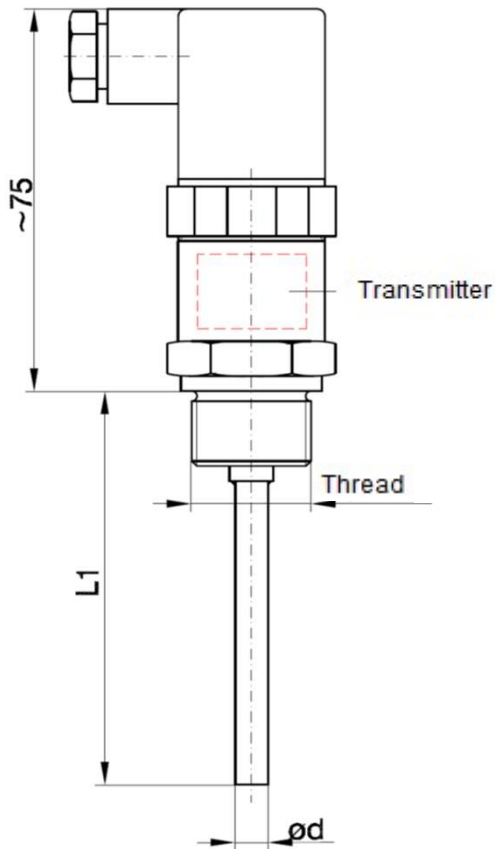
## Application

Heating technology  
Mechanical and plant engineering

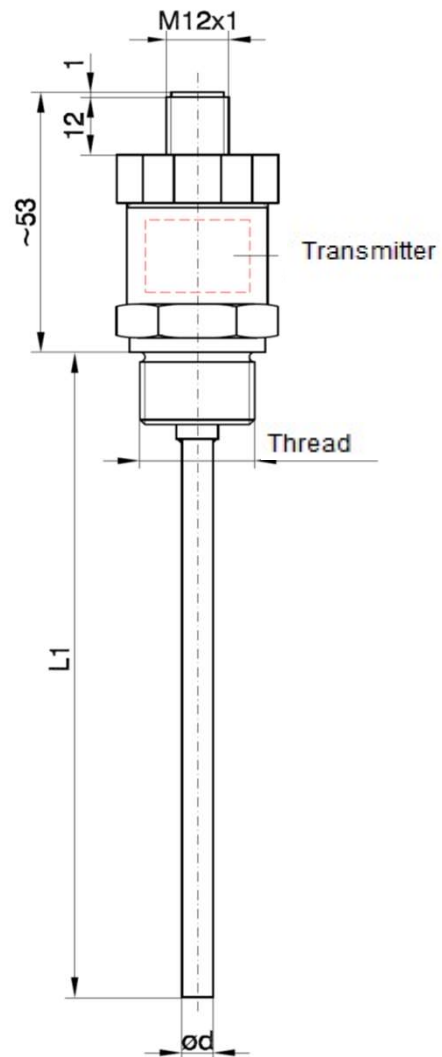
Model	ST-40	ST-42	ST-44	ST-45	ST-46	ST-47
Design	with plug according to EN 175301-803			with circular connector M 12 x 1, 4-pin		
Connection thread	G 1/2" with SW 27, CrNi-steel 316L					
Accuracy	Class F 0,3		Class W 0,3	Class F 0,3		Class W 0,3
Range	0...+100°C (212 °F), 0...120°C (248°F), 0...160°C (241 °F) or 0...200°C (392 F °C) other measuring ranges on request, however max. 85°C at the transmitter					
Sensor element	1 x Pt 100, 2-wire circuit					
Connection	CrNi-steel 316L					
Thermowell	6 x 0,75 mm	8 x 1 mm	6 x 0,75 mm scaled down to 6 mm	6 x 0,75 mm	8 x 1 mm	6 x 0,75 mm scaled down to 6 mm
Measuring insert diameter	3,5 mm exchangeable	5 mm exchangeable	1,5 mm fixed	3,5 mm exchangeable	5 mm exchangeable	1,5 mm fixed
Elektr. Connection	plug according to EN 175301-803 EN 175301-803 (DIN 43 650) / ISO 4400			circular connector M 12 x 1, 4-pin		
Protection type	IP 65 to EN 60529 /IEC 529			IP 67 to EN 60529 /IEC 529 in mounted condition		

## Dimensions

**ST-40, ST-42, ST-44**

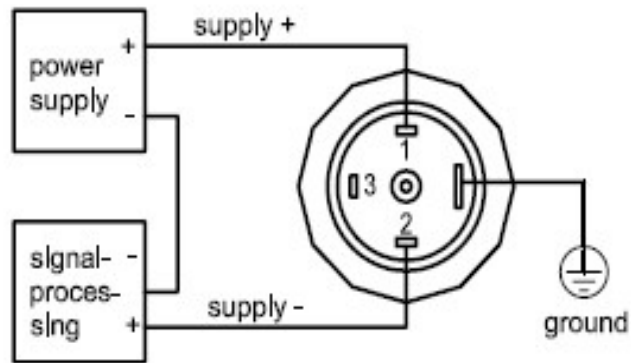


**ST-45, ST-46, ST-47**



## Dimensions

### Pinout for plug according to EN 175301-803



### Pinout for circular connector M 12 x 1, 4-pin

