



Data Sheet
TB-14 Series
**Bimetal Coil Thermometer -
Standard Version**

Distributed by



www.bristolinstruments.com

Bristol Instruments
90 Canal Street
4th Floor
Boston, MA 02114

Toll free 877-866-8500

Thermometer with Bimetal coil Standard version

Dial size: ND of 2½, 3, 4 and 6 in.
(63, 80, 100 and 160 mm)

Accuracy: ±2.0% of full scale

Features

Simple construction
Short energizing time

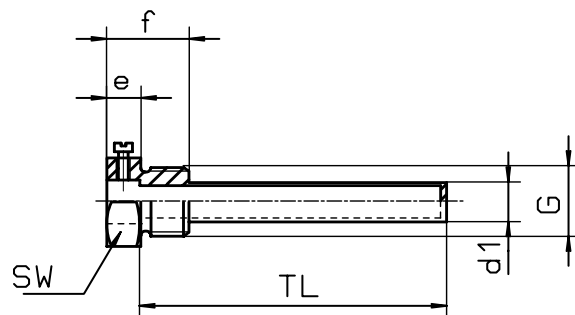
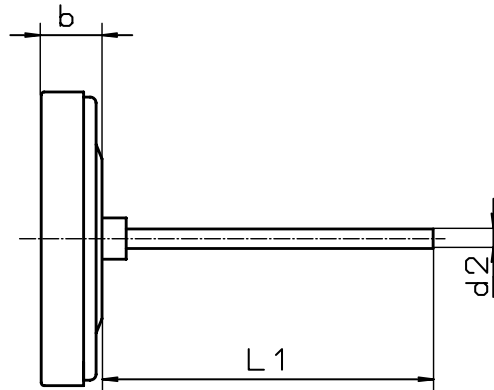
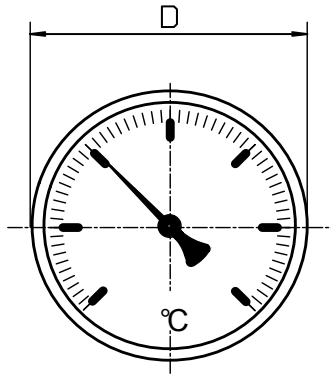
Applications

Heating systems
Industrial machines



Model and ND	TB-14 63	TB-14 80	TB-14 100	TB-14 160
Connection	back, centric			
Ranges	-22 to +122°F, -4 to +140°F 14 to 122°F, 32 to 104°F, 32 to 140°F, 32 to 176°F, 32 to 212°F, 32 to 248°F, 32 to 320°F, 32 to 392°F, 32 to 482°F			
Accuracy	±2.0% of full scale value			
Case	Steel zinc plated			
Bezel	Steel nickel plated			
Window	Acrylic glass			
Dial	Aluminium white ,scale and imprint black			
Pointer	Aluminium, black			
Measuring element	Bimetal coil			
Display correction	at plain stem end			
Stem	Copper alloy , diameter 9 mm			
Thermowell	thermowell detachable with lateral screw SW 21, copper alloy			
Stem length	45, 63, 100, 150, 200, 250 mm, other length on request			
Connection thread	½ in NPT or G ½ B			
max.operatg. pressure	87 psi			
Protection	IP 41 to EN 60529 / IEC 529			
Weight	2.5 oz	2.8 oz	4.6 oz	9.9 oz

Dimensions



Dimensions in mm									
Model	NG	D	b	d1	d2	e	f	sw	G
TB-14	63	63	14	12	9	8	19	21	G 1/2 B
TB-14	80	80	14	12	9	8	19	21	G 1/2 B
TB-14	100	100	14	12	9	8	19	21	G 1/2 B
TB-14	160	160	14	12	9	8	19	21	G 1/2 B

Modelspecification

