



Data Sheet TB-20 Series

Distributed by



www.bristolinstruments.com

Bristol Instruments
90 Canal Street - 4th Floor
Boston, MA 02114

Toll free
877-866-8500

Thermometer with Bimetal coil Industry version

**Dial size: ND of 2½, 3, 4 and 6 in.
(63, 80, 100 and 160 mm)**

Accuracy: ±1.0% of full scale



Features

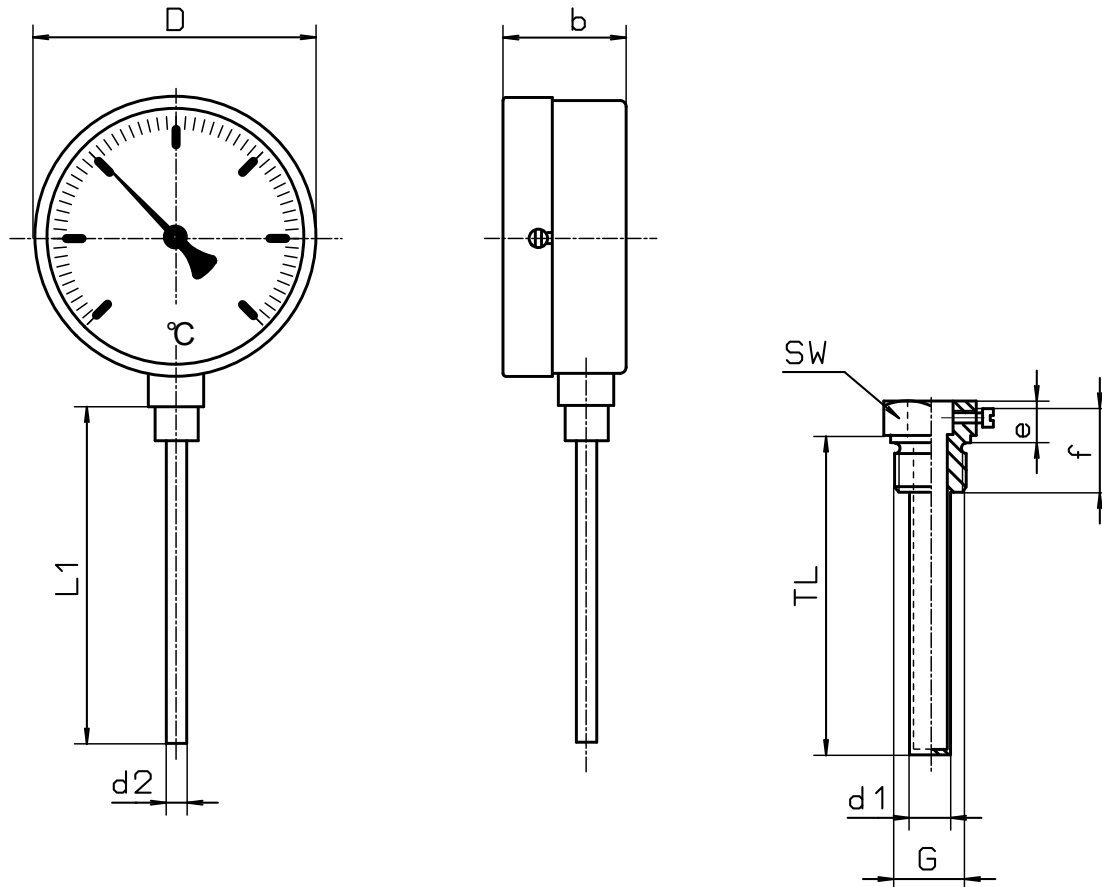
- Short response time
- Wide selection of standard versions
- High grade version

Applications

- Mechanical engineering and apparatus manufacture,
- Container and pipe construction
- Building service and a wide range of applications in industry
- Industrial machines

Model and ND	TB-20 63	TB-20 80	TB-20 100	TB-20 160
Connection	bottom			
Ranges	-22 to +122°F, -4 to +140°F 32 to 104°F, 32 to 140°F, 32 to 176°F, 32 to 212°F, 32 to 248°F, 32 to 320°F, 32 to 392°F, 32 to 482°F, 32 to 572°F, 32 to 752°F, other ranges in quantity on request.			
Accuracy	±1.0% of full scale value			
Case	CrNi steel			
Bezel	CrNi steel , rim ring,			
Window	Glass lens			
Dial	Aluminium white ,scale black			
Pointer	Aluminium, black			
Measuring element	Bimetal coil			
Display correction	Adjusting pointer or at end of shaft			
Shaft	CrNi steel , 8 mm			
Connection	Standard: plain with flange for thermowell Extra equipment : see data sheet T-190			
Stem length	45, 63, 100, 150, 200, 250 mm, other length on request			
Protection	IP 43 to EN 60529 / IEC 529			
Weight	7.1 oz	10.6 oz	14.1 oz	28.2 oz

Dimensions



Dimensions in mm									
Type	NG	D	b	d1	d2	e	f	sw	G
TB-20	63	63	45	10	8	15	27	21	G 1/2 B
TB-20	80	80	45	10	8	15	27	21	G 1/2 B
TB-20	100	100	50	10	8	15	27	21	G 1/2 B
TB-20	160	160	50	10	8	15	27	21	G 1/2 B

Model specification

Model	Connection	Nominal size	Range	Length	Connection type
TB-2	0	f.e. 100	f.e. 120	f.e.100	f.e. F 2

Connection bottom = 0

Case ND 63 = 63
Case ND 80 = 80
Case ND 100 = 100
Case ND 160 = 160

after Range
specification or direct
120 °

sensorlength in mm

after
data sheet T 190