

Diaphragm type chemical seal with DIN - flange



Features

Overload protection by diaphragm bed
 Special material for extreme service requirements
 Mountable on instrumentation and control equipment

Description

Chemical seals are used when media can falsify the pressure measurements of kristallisierende oder hochviskosen high viscosity or their prop Medien

Chemical seals - zu hohen Temperaturen
 measuring instr - aggressiven Medien
 a hermetic seal - vor Verunreinigungen

In combination with capillary tube the measuring instruments can be mounted in something meters from the process pressure .

Messgeräte entfernt von der Druckmessstelle montiert werden

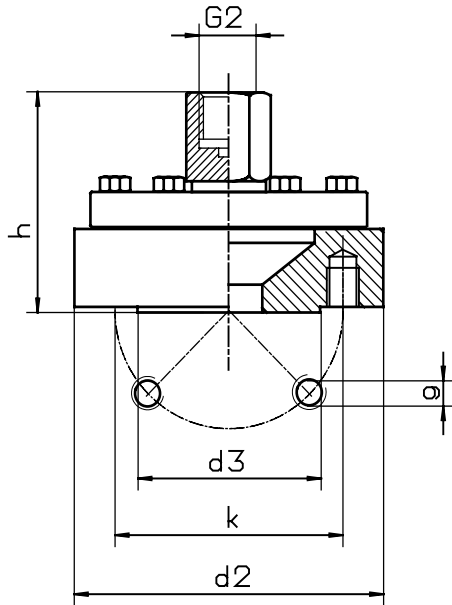
Applications

Process engineering
 Chemical and petrochemical industries
 Plant and apparatus construction
 Food industries

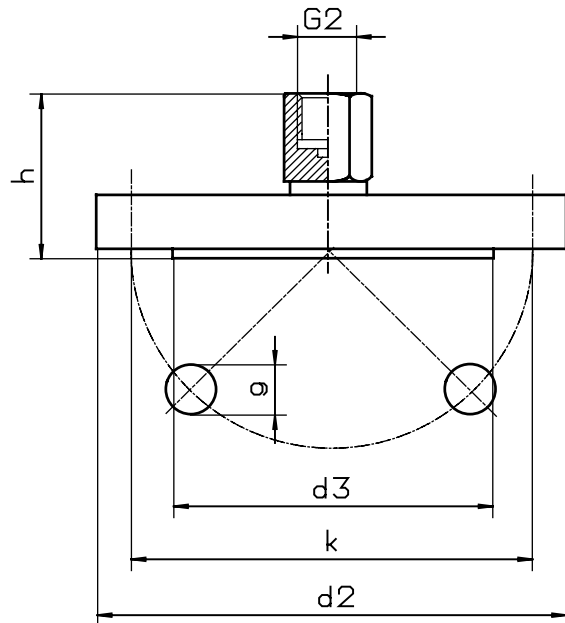
Model	DM-30 15	DM-30 20	DM-30 25	DM-30 50
Ranges in bar	0...1, 1,6, 2,5, 4, 6, 10, 16, 25, 40 -1 / 0, -1 / +0,6, -1 / +1,5, -1 / +3, -1 / +5, -1 / +9, -1 / +15, -1 / +24			
Construction	two parts ,upper -and lower flange together srewed membran repositioned disposed			one-piece membran flush
Upper boddy	CrNi steel			
Membran	Diameter 48 mm, CrNi steel,weldet with upper boddy			
Flange	CrNi steel			
Sealing	NBR or FPM			without
Connection	DN 15	DN20	DN 25	DN 50
Operating pressure	PN 40, in Option PN 100, PN 250 or PN 600			
Filling liquid	silicone oil			
Operation temperature	Medium: -20°C bis 200°C, in option up to 400°C			

Dimensions and Design

**DIN-Flange connection
DN 15, 20 and 25**



**DIN-Flange connection
DN 50**



Dimensions in mm								Weight
Model	DN	d2	d3	h	k	g	G2	
DM-30	15	100	45	76	65	4 x M12	G 1/2	2,7 Kg
DM-30	20	105	58	76	75	4 x M12	G 1/2	2,7 Kg
DM-30	25	115	68	76	85	4 x M12	G 1/2	2,7 Kg
DM-30	50	165	102	56	125	4 x Dm. 18	G 1/2	3,0 Kg