

Diaphragm type chemical seal with union nut

according to DIN 11851

Features

- Quick coupling
- Various process connections
- Flush diaphragm at the front
- Foodstuff compatible filling liquids



Description

Chemical seals are used when media falsify the pressure measurements due to high temperature, high viscosity or their propens

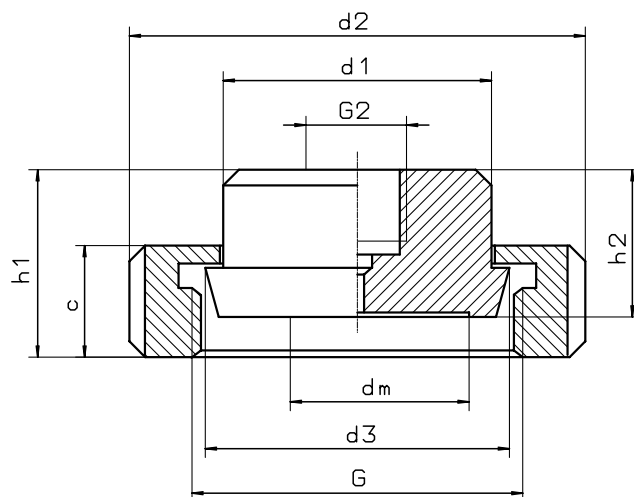
Chemical seals transmit the process pressure to the measuring instrument, with the diaphragm forming a hermetic seal between the medium and measuring instrument. The liquid used to transmit the process pressure to the measuring instrument is foodstuff compatible.

Applications

- Pharmaceutical industries
- Foodstuff industries
- Process engineering

Model	DM-40 25	DM-40 32	DM-40 40	DM-40 50	DM-40 65	DM-40 80
Ranges in bar	min. 4 bar max. 40 bar	min. 2,5 bar max. 40 bar	min. 1,6 bar max. 40 bar	min. 1,0 bar max. 25 bar	min. 1,0 bar max. 16 bar	min. 0,6 bar max. 16 bar
Construction	with union nut					
Union nut	CrNi steel					
Upper body	CrNi steel					
Diaphragm	CrNi steel weldet with upper body					
Diaphragm diameter	28 mm	34 mm	38 mm	48 mm	52 mm	72 mm
Connection	DN 25	DN 32	DN 40	DN 50	DN 65	DN 80
Operating pressure	PN 40	PN 40	PN 40	PN 25	PN 16	PN 16
Filling liquid	natural oil					
Operating temperature	Medium: -10°C up to 120°C, (for steam sterilization up to 150°C)					

with union nut
according to DIN 11851



Dimensions in mm										Weight	
Model	DN	c	d1	d2	d3	dm	h1	h2	G	G2	
DM-40	25	21	34	63	44	28	54	46	rd. 52x1/6"	G 1/2	0,5 kg
DM-40	32	21	40	70	50	34	54	46	rd. 58x1/6"	G 1/2	0,7 kg
DM-40	40	21	48	78	56	38	53	45	rd. 65x1/6"	G 1/2	0,7 kg
DM-40	50	22	60	92	68	46	48	40	rd. 78x1/6"	G 1/2	1,1 kg
DM-40	65	25	79	116	86	52	54	45	rd. 95x1/6"	G 1/2	2,0 kg
DM-40	80	30	92	127	100	63	59	45	rd. 110x1/6"	G 1/2	2,5 kg