



Data Sheet  
**MR-20-100**  
**Pressure Gauges**

*Distributed by*



[www.bristolinstruments.com](http://www.bristolinstruments.com)

Bristol Instruments  
90 Canal Street  
4th Floor  
Boston, MA 02114

Toll free 877-866-8500

# Pressure gauges with Bourdon tube in Industry version



**Nominal size:** 4 in or 6 in (100 or 160 mm)

**Accuracy:** ±1.0 % of full scale

### Special features

- Robust version
- For durability designed measurement system
- High quality pointer dial

### Applications

- Machinery and plant engineering
- Energy utilities
- Water and Wastewater Technology
- Hydraulic plants (with glycerol)

### Usage

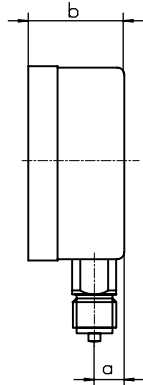
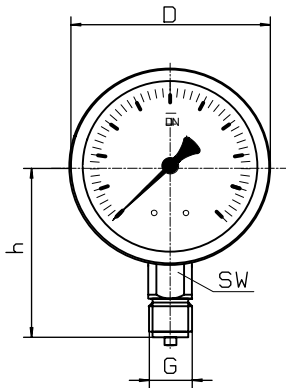
For all gaseous and liquid media, which do not attack copper alloys or react viscous.



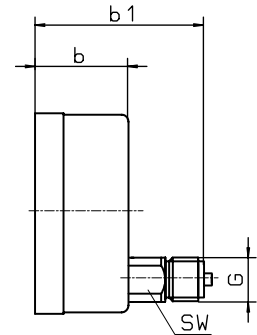
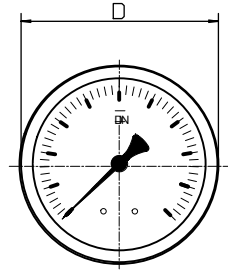
Version					with glycerine filling			
Type	MR-20	MR-25	MR-20	MR-25	MR-20 F	MR-25 F	MR-20 F	MR-25 F
ND	100	100	160	160	100	100	160	160
Connection position								
	Data sheet M 220				Data sheet M 230			
Connection	¼ in NPT or G ½ B, key-size 22, Cu-alloy Types MR-20 bottom, Types MR-25 back eccentric							
Measuring element	ND 100 Cu-alloy, up to 60 bar with Bourdon tube, from 100 bar CrNi-steel 316L with coil spring ND 160 Cu-alloy, up to 40 bar with Bourdon tube, from 60 bar CrNi-steel 316L with coil spring							
Case	CrNi-Steel		Steel, black	CrNi-Steel				
Bayonet ring	CrNi-Steel		Steel, black	CrNi-Steel				
Window	Instrument glass						Safety glass	
Movement	Copper alloy and nickel silver							
Protection class	IP 54 according to EN 60529 / IEC 529				IP 65 according to EN 60529 / IEC 529			
Ranges (psi)	0 to 10, 15, 25, 35, 50, 100, 150, 200, 350, 600, 1,000, 1,500, 2000, 3,500, 5,000, 6,000, 10,000, 14,500 -10 to 0, -15 to 0, -15 to +10, -15 to +15, -15 to +20, -15 to +50, -15 to +75, -15 to +100, -15 to +200, -15 to +348							

## Dimensions

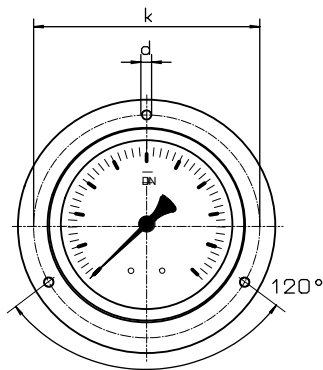
Connection bottom



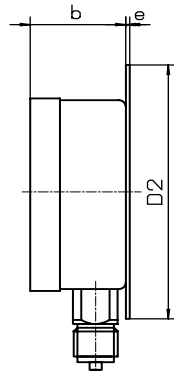
Connection back, eccentric



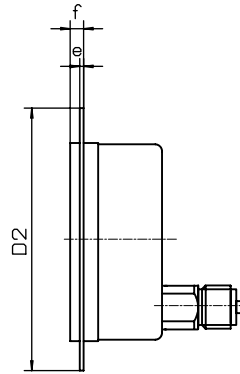
front flange



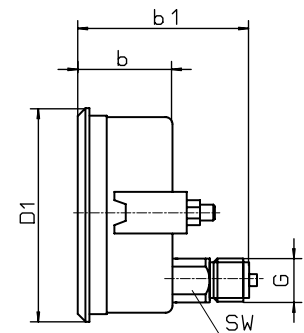
rear flange



front flange



with triangle  
bezel a. mounting  
bracket



Dimensions in mm														
Model	NG	D	a	b	b1	h	D1	D2	e	f	k	d	sw	G
MR-20 F	100	101	15	49	-	86	107	132	2	6	116	5	22	G 1/2 B
MR-25 F	100	101	-	49	85	-	107	132	2	6	116	5	22	G 1/2 B
MR-20 F	160	160	15	51	-	118	-	196	3	8	178	5,6	22	G 1/2 B
MR-25 F	160	160	-	51	86	-	166	196	3	8	178	5,6	22	G 1/2 B

### Model specification

Model	Connection	Filling	Nominal size	Range	Options
MR-2	0 or 5	F	100 or 160	f.e. 10 bar	
	Bottom = 0 Back = 5	Glycerine filling (Leave blank if ordering without glycerine filling)	Case ND 100 = 100 Case ND 160 = 160	after range specification for 10 bar = 010	for example : front mounting flange