



Data Sheet  
**MR-30F Series**  
**Pressure Gauges**

*Distributed by*



[www. BristolInstruments.com](http://www.BristolInstruments.com)

Bristol Instruments  
90 Canal Street - 4th Floor  
Boston, MA 02114

Toll free  
877-866-8500

# All stainless steel pressure gauges with Bourdon tube with glycerine filling

Nominal size: ND 100, 160 mm (4, 6 in)

Accuracy:  $\pm 1.0\%$  of full scale



## Features

- Designed for harsh conditions
- High reliability on a longterm basis
- Stainless steel housing and measurement system
- Over-range protection: 1.3 times max.
- Ingress protection: IP 65

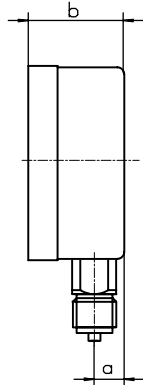
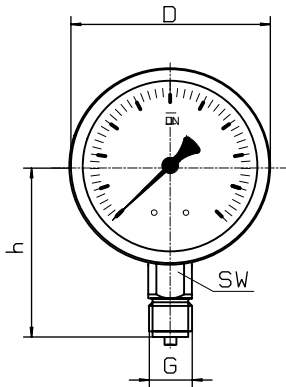
## Applications

- Chemical and petrochemical industry
- Food and beverage industry
- Pulp and paper industry

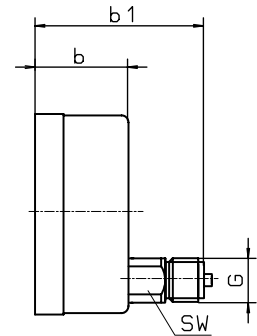
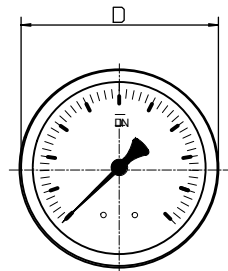
Models and ND	MR-30 F 100	MR-35 F 100	MR-30 F 160	MR-35 F 160
Connections	bottom	back, eccentric	bottom	back, eccentric
Ranges (psi)	0 to 10, 15, 25, 35, 50, 100, 150, 200, 350, 600, 1,000, 1,500, 2,000, 3,500, 6,000, 8,500, 15,000, 20,000 neg: -10, 0, -15 to 0, -15 to +10, -15 to +20, -15 to +50, -15 to +75, -15 to +100, -15 to +200			
Application	Constant load : up to full scale value, >1000 bar 3/4 Alternating load : up to 0,9 x full scale value ,> 1000 bar 2/3 Overrange protection 1,3 times max.,> 1000 bar full scale value			
Case	CrNi steel , pressure relief opening (closed with rubber disk)			
Bezel	CrNi steel			
Window	Laminated safety glass			
Dial	Aluminium white, scale and imprint black			
Pointer	Aluminium, black			
Movement	CrNi steel			
Measuring element	CrNi steel Bourdon tube < 40 bar, helial tube > 60 bar			
Connection	CrNi steel			
Connection thread	½ in NPT, G ½ B			
Protection	IP 65 to EN 60529 / IEC 529			
Temperature range	Medium: -4 to 175°F, Ambient: -13 to 140°F			
Weight	32 oz		74 oz	

# Dimensions

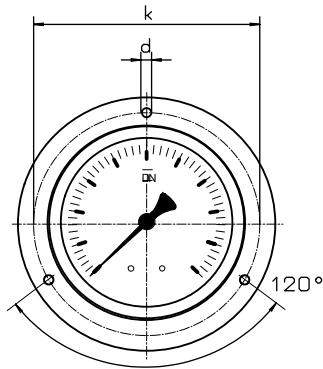
Connection bottom



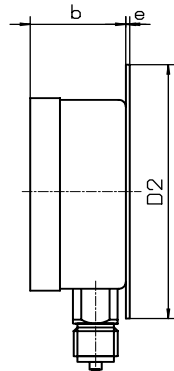
Connection back, eccentric



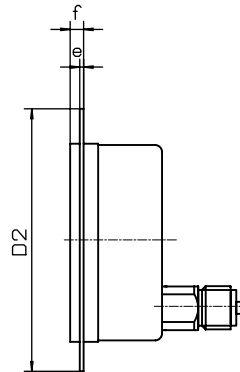
front flange



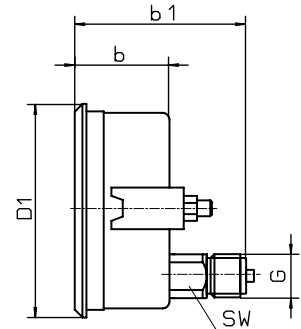
rear flange



front flange



with triangle bezel a. U-clamp



Dimensions in mm														
Model	NG	D	a	b	b1	h	D1	D2	e	f	k	d	sw	G
MR-30 F	100	101	15	49	-	86	107	132	2	6	116	5	22	G 1/2 B
MR-35 F	100	101	-	49	85	-	107	132	2	6	116	5	22	G 1/2 B
MR-30 F	160	160	15	51	-	118	-	196	3	8	178	5,6	22	G 1/2 B
MR-35 F	160	160	-	51	86	-	166	196	3	8	178	5,6	22	G 1/2 B

## Model specification

