



Data Sheet
MR-20
Pressure Gauges

Distributed by



www.bristolinstruments.com

Bristol Instruments
90 Canal Street
4th Floor
Boston, MA 02114

Toll free 877-866-8500

Pressure gauges with Bourdon tube without / with glycerine filling



Dial face 2 1/2 in (63 mm)
Accuracy +/- 1.6 % of full scale

According to DIN EN 837-1



Features

High dynamic loads
Rugged construction

Applications

Food industry, Plant construction, Chemical industry, Mining,
General Machine construction,
with glycerine filling : Compressors,
Pumps, Hydraulics

	with glycerine filling			
Model and ND	MR-20 63	MR-25 63	MR-20 F 63	MR-25 F 63
Connection	bottom	back, eccentric	bottom	back, eccentric
Ranges in psi	0...10, 15, 25, 35, 50, 100, 150, 200, 350, 600, 1,000, 1,500, 2,000, 3,500, 5,000, 6,000 -10 to 0, -15 to 0, -15 to +10, -15 to +15, -15 to +50, -15 to +75, -15 to +130, -15 to +200			
Application	permanent loading : to 3/4 max. rating dynamic loading : to 2/3 max. rating Overload protection : max. rating			
Case	Stainless steel 316			
Bezel	Stainless steel 316			
Window	laminated glass			
Dial	Aluminium white , scale and imprint black			
Pointer	Aluminium , black			
Movement	CuZn -alloy,			
Measuring element	Copper alloy, up to 1,000 psi bourdon tube, from 1,500 psi helical tube from 6,000 psi helical tube Stainless steel 316 L			
Connection	NPT: 1/4 inch			
Protection class	IP 65 according to EN 60529 / IEC 529			
Temperatures	Min. to Max, Medium: -4°F to 176°F (-20°C to 80°C) Ambient: -13°F to 140°F (-25°C to 60°C)			
Weight	0.44 lb		0.55 lb	

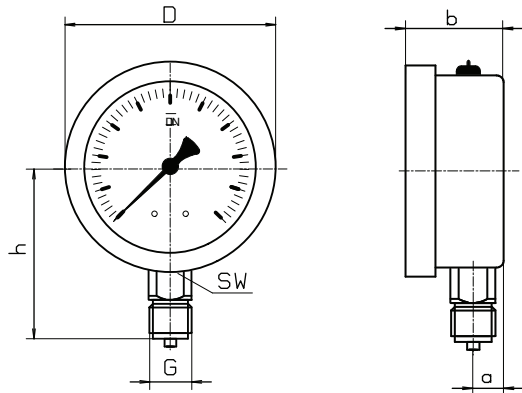
Exclusively distributed in North America by:



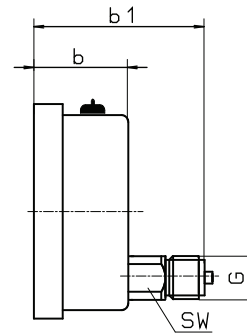
Phone: 877-866-8500
www.bristolinstruments.com
90 Canal Street • Boston, MA 02114

Dimensions

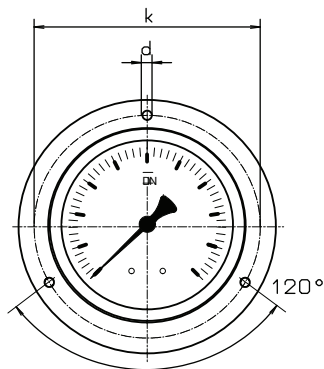
Connection bottom



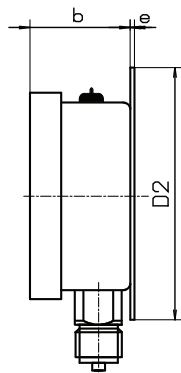
Connection back
eccentric



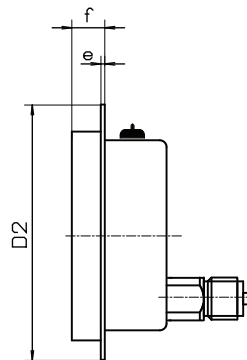
Front flange



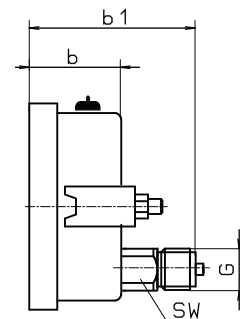
Rear flange



Front flange



with triangle bezel
and U-clamp,



Dimensions in mm														
Model	NG	D	a	b	b1	h		D2	e	f	k	d	sw	G
MR-20	63	68,5	9,5	31	-	53		85	3	16	75	3,7	14	NPT 1/4 inch
MR-25	63	68,5	-	31	60	-		85	3	16	75	3,7	14	NPT 1/4 inch
MR-20 F	63	68,5	9,5	31	-	53		85	3	16	75	3,7	14	NPT 1/4 inch
MR-25 F	63	68,5	-	31	60	-		85	3	16	75	3,7	14	NPT 1/4 inch

Modifications reserved

Exclusively distributed in North America by:

BRISTOL

INSTRUMENTS

Phone: 877-866-8500
www.bristolinstruments.com
 90 Canal Street • Boston, MA 02114