



Data Sheet
ST-30 Series
Screw-in RTD Thermometers

Distributed by



www.bristolinstruments.com

Bristol Instruments
90 Canal Street
4th Floor
Boston, MA 02114

Toll free 877-866-8500

Threaded resistance thermometer in a low-cost version

Accuracy class F 0,3 and W 0,3 according DIN EN 60 751

Output: 1 x Pt 100, 2-wire, 3-wire or 4-wire
2 x Pt 100, 2-wire



Features

for measuring temperatures in pipelines and containers
inexpensive temperature sensor
for systems up to 40 bar operating pressure

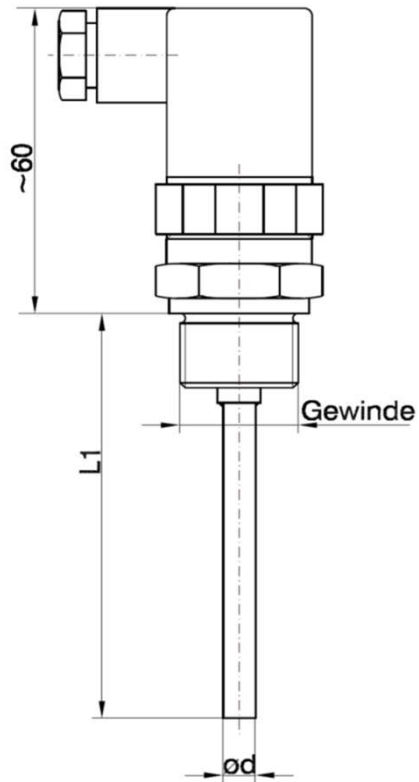
Application

Heating technology
Mechanical and plant engineering

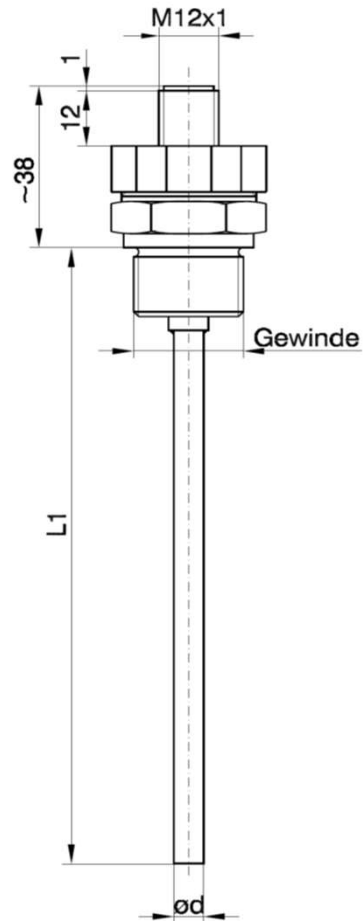
Model	ST-30	ST-32	ST-34	ST-35	ST-36	ST-37
Design	with plug according to EN 175301-803			with circular connector M 12 x 1, 4-pin		
Connection thread	G 1/2" with SW 27, CrNi-steel 316L					
Accuracy	Class F 0,3		Class W 0,3	Class F 0,3		Class W 0,3
Range	-50...+150 °C (-58...302 °F)					
Sensor element	1 x Pt 100, 3-wire, optional 2 x Pt 100 and / or 4-wire alternatively Pt 1.000					
Connection	CrNi-steel 316L					
Thermowell	6 x 0,75 mm	8 x 1 mm	6 x 0,75 mm scaled down to 6 mm 15 mm	6 x 0,75 mm	8 x 1 mm	6 x 0,75 mm scaled down to 6 mm 15 mm
Measuring insert diameter	3,5 mm exchangeable	5 mm exchangeable	1,5 mm fixed	3,5 mm exchangeable	5 mm exchangeable	1,5 mm fixed
Elektr. Connection	plug according to EN 175301-803 EN 175301-803 (DIN 43 650) / ISO 4400			circular connector M 12 x 1, 4-pin		
Protection type	IP 65 to EN 60529 /IEC 529			IP 67 to EN 60529 /IEC 529 in mounted condition		

Dimensions

ST-30, ST-32, ST-34

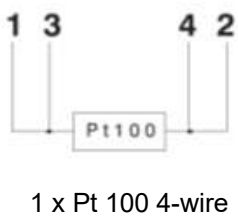
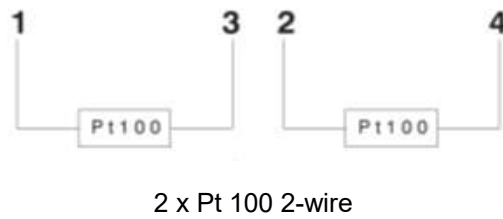
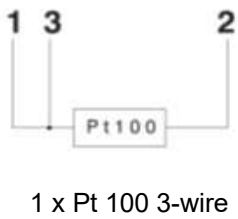
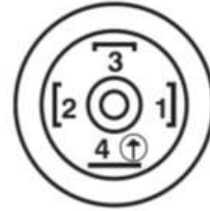
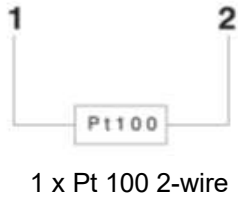


ST-35, ST-36, ST-37



Bauformen und Abmessungen

Pinout for plug according to EN 175301-803



Pinout for circular connector M 12 x 1, 4-pin

