



Data Sheet
ST-120 Series
Screw-in Thermocouple Thermometers

Distributed by



www.bristolinstruments.com

Bristol Instruments
90 Canal Street
4th Floor
Boston, MA 02114

Toll free 877-866-8500

Screw-In Thermocouple Thermometer

Accuracy: $\pm 1.0\%$

according to DIN 43710 or DIN 584—see table



Features

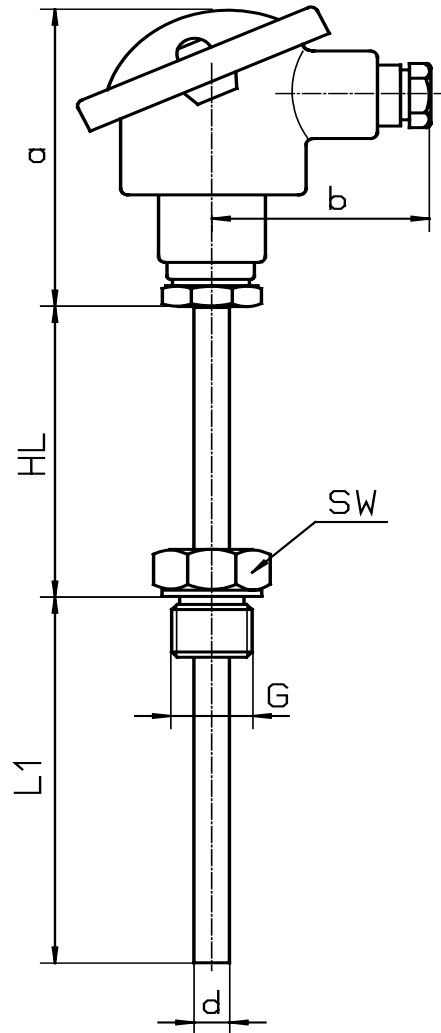
Universal thermometer for low pressure
 Special versions on request
 Short response time

Applications

Air Conditioning
 Tank and pipe construction
 Chemical and petrochemical industry
 Mechanical engineering and machinery

Model	ST-120	ST-130
Design	with extensionstube	without extensionstube
Range	-328 to +1,112°F (-200 to +600°C)	
Measuring element	Type L (Fe-CuNi) according to DIN 43710 Type J (Fe-CuNi) according to DIN 584 Type K (NiCr-Ni) according to DIN 584 DIN-Types S, T, E, N, R and B on request	
Head	Form B	
Thermowell	Diameter 9 x 1 mm CrNi steel	
Measuring element	Diameter 6 mm	
Connection	SW 27, CrNi steel	
Connection thread	½" NPT or G ½ B	
Electrical connection	Ceramic stone in head , over PG 16	

Dimensions



Dimensions in mm							
Model	a	b	d	HL	L1	SW	G
ST-120	80	50	11	120		27	G 1/2 B
ST-130	80	50	11	-		27	G 1/2 B