

Data Sheet
Vert-X 8800 Series
24V

Distributed by



[www. BristolInstruments.com](http://www.BristolInstruments.com)

Bristol Instruments
65 Sprague Street
Boston, MA 02136

Toll free
877-866-8500



Vert-X 88 - 24V / 0.1 - 10V

Applications

- Agricultural machines
- Construction machines
- Forest machines
- Special purpose vehicles

Features general

- Very robust design
- Contactless measuring method
- Long life
- High accuracy of measurement
- Applications under adverse ambient conditions possible (humidity, dampness, dust, vibrations etc.)
- Developed according to the principles of functional safety

Features MH-C

- Linearity of $\pm 0.3\%$
- Resolution of 12bit
- Full redundancy possible
- Lower price than MH-C2

Features MH-C2

- Linearity of $\pm 0.1\%$
- Resolution of 14bit
- Index point(s), sense of rotation and angle settable resp. programmable by customer (optional)

Errors and omissions excepted. Subject to change without notice. / State: 04.09.14

Sensor principle		MH-C	MH-C2
Electrical data			
Measuring range	°	0 ... 360	0 ... 360
Indep. linearity	% of meas. range	± 0.3	± 0.1
Max. hysteresis	°	0.1	0.1
Resolution	bit	12	14
Max. repeatability	°	0.1	0.1
Sample rate fast mode	kHz	(5)	(2)
Sample rate slow mode	kHz	1.66	0.5
System propagation delay fast mode	μs	(800)	(800)
System propagation delay slow mode	μs	4600	2500
Max. temperature coefficient of the output signal	ppm/°K	100	100
MTTFd / MTBF	years	185 / 185	147 / 147
Power supply voltage	VDC	10.8 ... 35	11 ... 35
Current consumption without load (typ.) fast mode	mA	(19)	(20)
Current consumption without load (typ.) slow mode	mA	14	15
Min. ohmic load at output	kOhm	10	10
Max. capacitive load at output	nF	100	100
Reverse polarity protection of power supply		yes	yes
Electrical connection (s = shielded)		Cable 3pole, s	Cable 3pole, s
Cross section of single wires	mm ²	0.56 (AWG2 0)	0.56 (AWG2 0)
Redundancy feasible		yes	no
Electrical connection redundant (s = shielded)		Cable 6 pole, s	-
Cross section of single wires redundant	mm ²	0.56 (AWG2 0)	-
Mechanical data			
Mechanical range	°	360 (continuous)	360 (continuous)
Protection class		IP68 & IP69K	IP68 & IP69K
Max. starting torque at specified protection class	Ncm	0.5 / 6	0.5 / 6
Max. rotating speed	rpm	3000	3000
Min. life	movements	360 Mio.	360 Mio.
Max. permitted axial shaft load	N	300	300
Max. permitted radial shaft load	N	400	400
Operating & storage temperature	°C	-40 ... + 85	-40 ... + 85
IEC 68-2-6 Vibration (Amax = 0.75mm, f = 5 ... 2000 Hz)	g	20	20
IEC 68-2-27 Shock	g	50	50
Standards			
EN 55022 classe B, Emission radiated (30... 230 MHz)	dB($\mu\text{V}/\text{m}$)	max. 30	max. 30
EN 55022 classe B, Emission radiated (230...1000MHz)	dB($\mu\text{V}/\text{m}$)	max. 37	max. 37
EN 61000-4-2, ESD (contact discharge / air discharge)	kV	$\pm 4 / \pm 8$	$\pm 4 / \pm 8$
EN 61000-4-3, Immission HF radiated (80... 1000 MHz)	V/m	30	30
EN 61000-4-3, Immission HF radiated (1.4 ... 2 G Hz)	V/m	3	3
EN 61000-4-3, Immission HF radiated (2... 2.7 G Hz)	V/m	1	1
EN 61000-4-4, Burst (on all lines)	kV	± 1	± 1
EN 61000-4-5, Surge (lines to ground)	kV	± 1	± 1
EN 61000-4-6, Immission HF conducted (0.15...80MHz)	Vemk	10	10
EN 61000-4-8, Immission magnetic field (50Hz)	A/m	300	300
IEC 60393-1 Insulation resistance (500VDC, 1bar, 2s)	GOhm	20	20
IEC 60393-1 Dielectric strength (VAC, 50Hz, 1min, 1bar)	kV	1	1



Vert-X 88 - 24V / 0.1 - 10V
Ordering code

* Switch outputs
Please define number
(max. 127), position and width
of the pulses.

Output characteristics		Electrical connection	
Positive gradient CW	Standard 1	4	Standard Round cable 3pole
Positive gradient CCW	Optional 2	6	Optional Round cable 6pole
Redundant, positive gradient CW	Optional 3	9	Optional Special cable
Redundant, positive gradient CCW	Optional 4		
Redundant, crossed signal curves	Optional 5		
Positive gradient CW with 1 switch output*	Optional A		
Positive gradient CCW with 1 switch output*	Optional B		
Positive gradient CW with 2 switch outputs*	Optional C		
Positive gradient CCW with 2 switch outputs*	Optional D		
Sense of rotation settable	Optional E		
Zero point & sense of rotation settable	Optional F		
Middle point & sense of rotation settable	Optional G		
Start + end point & sense of rotation settable	Optional H		
Programmable with Vert-X EasyAdapt	Optional P		

Output signal		Length of cable	
0.1 ... 10VDC	Standard 1	02	Standard 1.0m
		06	Optional 3.0m
		10	Optional 5.0m
		99	Optional Special length

Power supply voltage	
24VDC	Standard 1

Vert-X 8 8 7 2 7 3 6 1 1 1 4 0 2

Electrical angle	
36	Standard Electrical angle 360°
xx	Optional 03 to 35; Declaration in 10° steps
99	Optional Special angle

Sensor principle	
7	MH-C
8	MH-C2

Mechanical version		
8872	Standard	Housing ø88mm with flange ; 10mm shaft with hexagon socket ; IP68 & IP69K
8873	Standard	Housing ø88mm with flange ; 12mm shaft D-shape & cross-hole ; IP68 & IP69K
8899	Optional	Special housing ; Special shaft

	MH-C	MH-C2
Custom shaft design	X	X
Custom modification of the housing	X	X
Custom cable	X	X
Sample rate in fast mode	X	X
Switch functions TTL (max. 2)	X	X
Special characteristic curve	-	X
Special electrical angle within 30° to 360° (ex factory)	X	X
Electrical angle programmable (Software)	-	X
Start & end point settable (Additional wires)	-	X
Sense of rotation CW/CCW settable / programmable (Additional wires or Software)	-	X
Index point settable / programmable (Additional wires or Software)	-	X

Options (on request)

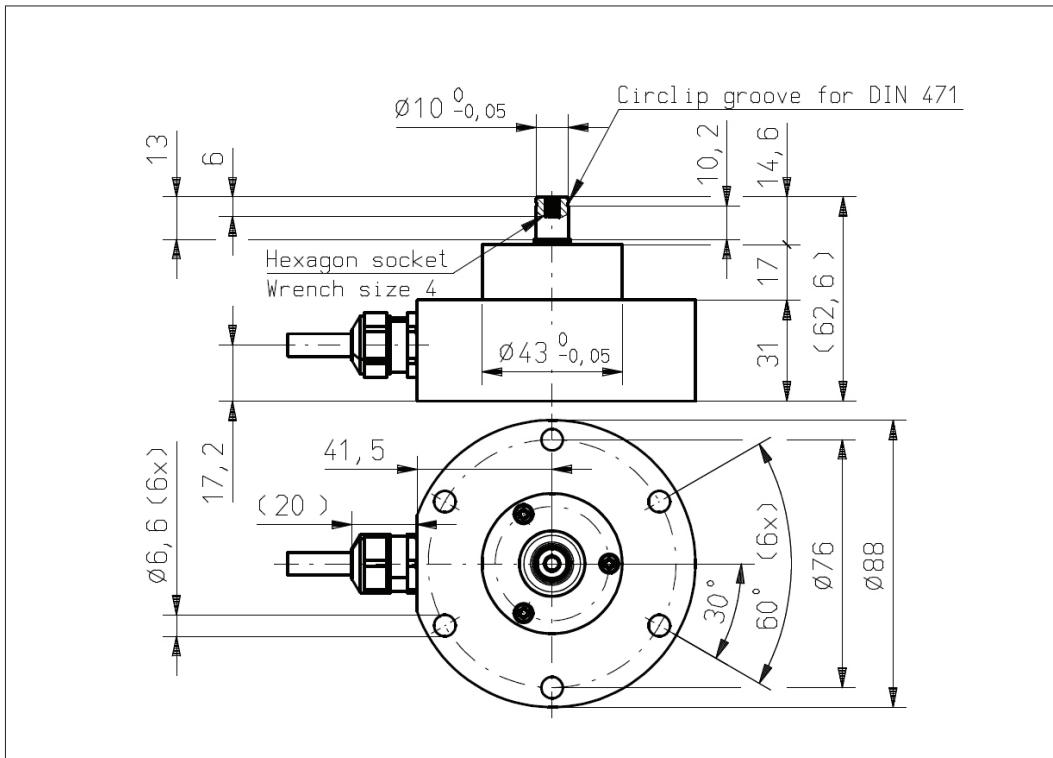
Errors and omissions excepted. Subject to change without notice. / State: 04.09.14



Vert-X 8872

Accessories (incl.)

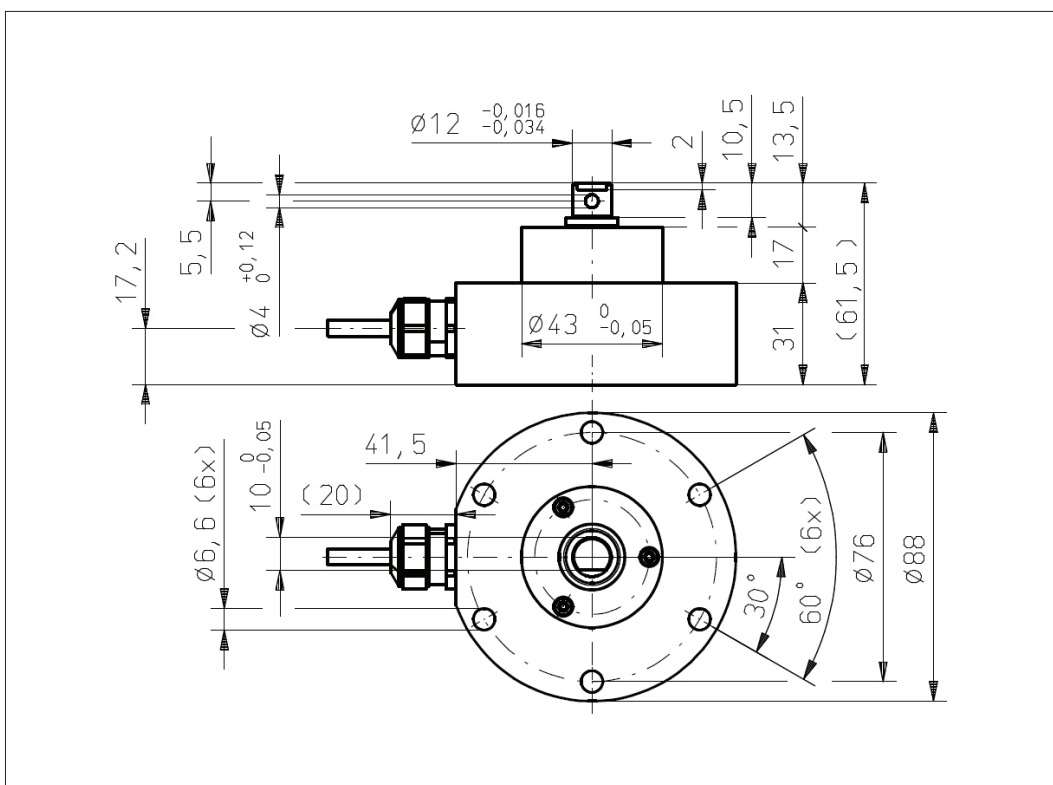
- 3x Hexagon screw M6x45
- 3x Washer
- 1x Circlip



Vert-X 8873

Accessories (incl.)

- 3x Hexagon screw M6x45
- 3x Washer



Errors and omissions excepted. Subject to change without notice. / State: 04.09.14